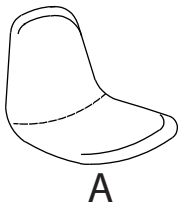


Pebble Bar/Counter Stool

Part # BS-PEB XX / CS-PEB XX

23-0307

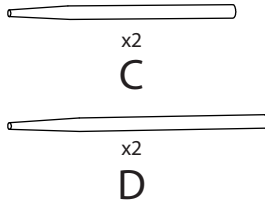
PARTS



A



B

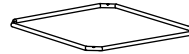


x2

C

x2

D



E



x12
(M6x16mm)

F



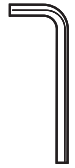
x4

G



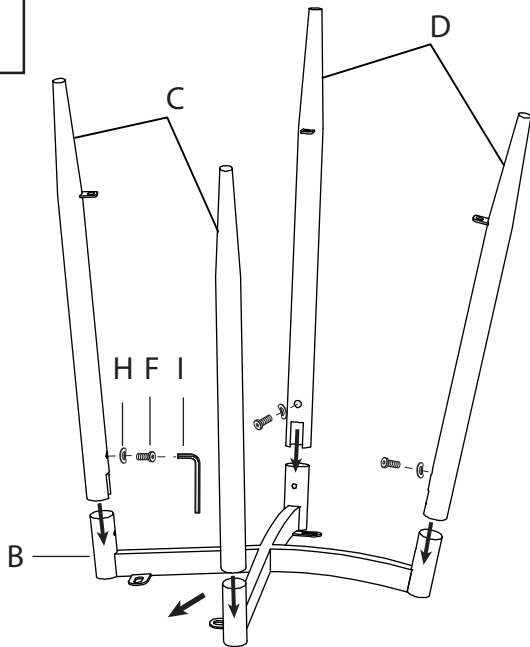
x4

H

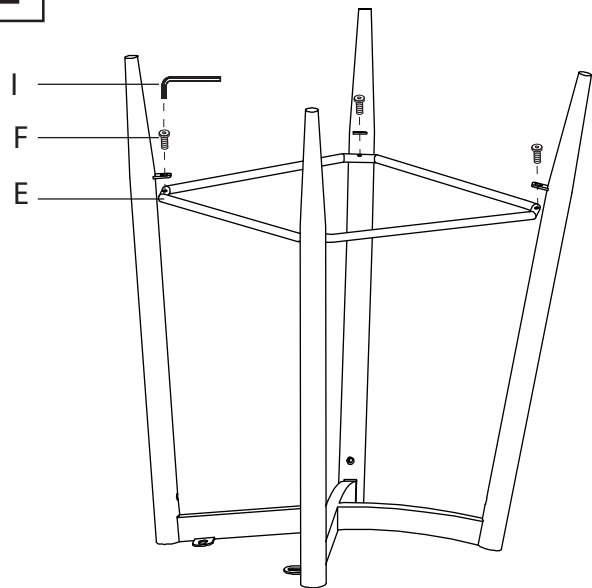


I

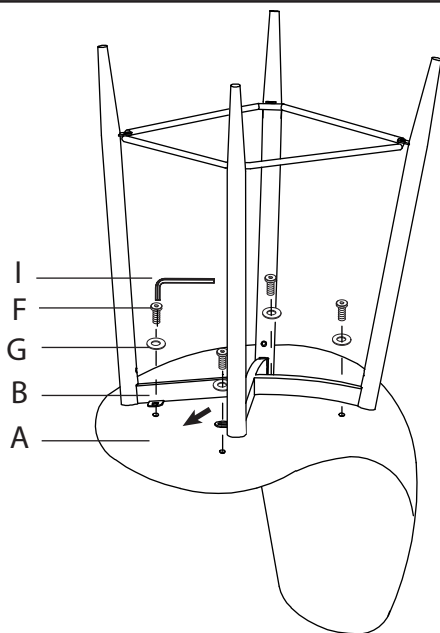
1



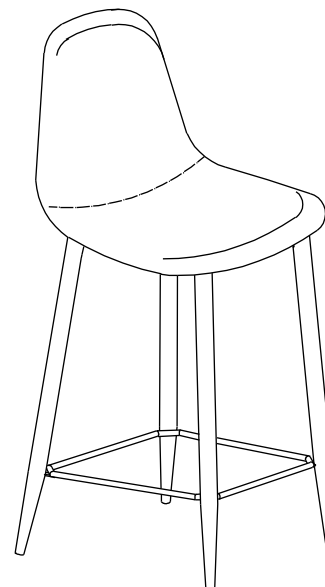
2



3



4



⚠ WARNING: SEATING: CHAIR, COUNTER/BAR, OFFICE

- Read all instructions carefully and completely before assembly and use. Retain for future reference.
- Keep plastic bags and small parts away from children.
- For residential (non-commercial) use only.
- DO NOT stand on product. Use only for intended table purpose.
- Max weight limit 250 lbs.
- Periodically check for loose hardware; retighten as necessary.
- DO NOT use product if any component becomes damaged.
- DO NOT use power tools to assemble OR overtighten hardware.